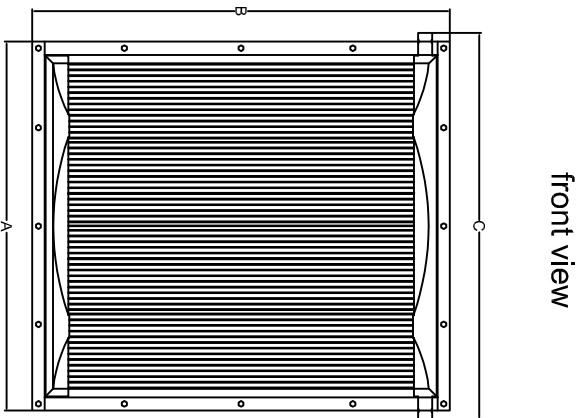
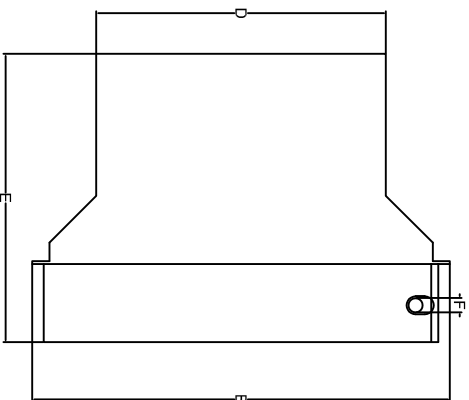


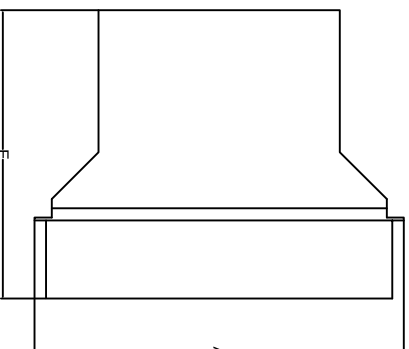
# Nu-Era Heaters Spec Sheet



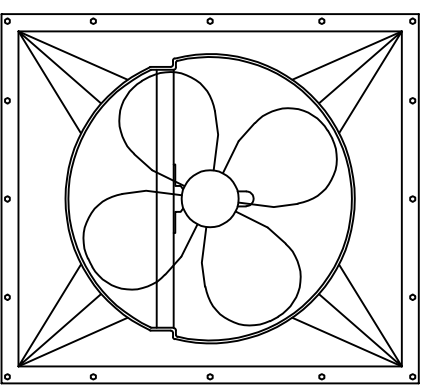
front view



side view



top view



rear view

	Pressure Drop					BTU			CFM	Cap. Gallons	Ship Weight			
	A	B	C	D	E	PSI	Foot Water	GPM						
NE16	18.5	23.125	20.25	14.5	27	1 1/4" sch 40 Grooved	115/230V f.l.a. 5.6/2.8 1Ph 230/460 f.l.a. 1.8/0.9 3Ph 1100 rpm 3/4hp 48z Frame	0.95	2.19	7	60,000 with 200 deg water, 60 ambient air 51,420 with 180 deg water, 60 ambient air 42,840 with 160 deg water, 60 ambient air 34,260 with 140 deg water, 60 ambient air	1450 @ 0.06 static	2.20	86 Pounds
NE24	26	31	28	18.375	27.75	1 1/4" sch 40 Grooved	115/230V f.l.a. 5.6/2.8 1Ph 230/460 f.l.a. 1.8/0.9 3Ph 1100 rpm 3/4hp 48z Frame	1.25	2.95	11	100,000 with 200 deg water, 60 ambient air 85,700 with 180 deg water, 60 ambient air 71,400 with 160 deg water, 60 ambient air 57,100 with 140 deg water, 60 ambient air	1940 @ 0.085 static	3.60	123 Pounds
NE30	32.5	37.25	34.625	25.5	28	1 1/4" sch 40 Grooved	115/230V f.l.a. 5.6/2.8 1Ph 230/460 f.l.a. 1.8/0.9 3Ph 1100 rpm 3/4hp 48z Frame	1.98	4.56	17	170,000 with 200 deg water, 60 ambient air 145,690 with 180 deg water, 60 ambient air 121,380 with 160 deg water, 60 ambient air 97,070 with 140 deg water, 60 ambient air	3700 @ 0.13 static	4.90	166 Pounds